

# **Schenker**<sup>®</sup>

WATERMAKERS



A photograph of a large, light-colored industrial building with a blue sky in the background. The building features a large window and the Schenker Watermakers logo in blue and white. A blue diagonal bar is overlaid on the bottom right of the image, and a green and red line graphic is at the bottom left.

**Schenker**  
WATERMAKERS

MANUFACTURER OF HIGH QUALITY MARINE WATERMAKERS.

## SCHENKER WATERMAKERS COMPANY

### Our history

Established in 1998, Schenker is a leading manufacturer of high quality watermakers based on our patented Energy Recovery System. The company prides itself on its continuous investment in research and development, providing its customers with unsurpassed technical solutions.

### Our mission

Provide high quality and innovative products that meet our customer needs.  
Provide excellent service and on-going support through our network of international representatives.  
Provide energy efficient, simple and reliable solutions for making water.

### Our innovation

Schenker uses a low-pressure feed pump. The pressure is then increased using our new patented Energy Recovery System, powered by the waste water from the reverse osmosis process. This reduces the power consumption by up to 80% compared with conventional watermakers.



# WHY CHOOSE A SCHENKER WATERMAKER?

Power consumption is reduced by up to 80% compared with conventional watermakers. For example just 240 Watts is required to produce 60 litres of drinking water.

**80% LESS  
POWER  
CONSUMPTION**

Schenker watermakers produce pure drinking water. No need to carry onboard supplies of plastic bottled water thereby reducing our reliance on plastic and protecting our oceans.

**REDUCING  
WASTE**

Thanks to their high efficiency, Schenker watermakers can be powered directly from service batteries without the need to run the engine or generator.

**DIRECT  
SERVICE  
BATTERIES  
POWER SUPPLY**

Schenker watermakers low pressure pump and Energy Recovery System result in quiet, vibration free operation.

**QUIET  
OPERATION**

Thanks to the low power consumption, Schenker watermakers can easily be powered by renewable energy.

**ECO  
SUSTAINABILITY**

Schenker watermakers are constructed of corrosion free materials such as carbon fibre and acetylic resins. The watermaker is totally corrosion free.

**CORROSION  
FREE  
MATERIALS**

The watermaker will automatically flush the membrane with fresh water at the end of its cycle.

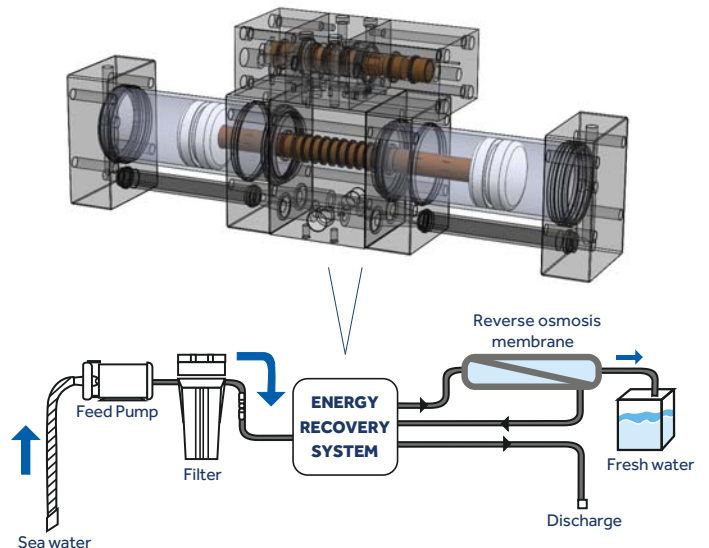
**AUTOMATIC  
MEMBRANE  
FLUSHING**

Schenker watermakers' new generation seals have been designed using nanotechnology. This material is characterised by a very low friction coefficient and is incredibly long-lasting ensuring reliable operation.

**LONG LASTING  
COMPONENTS**

## WORKING PRINCIPLE

Schenker uses a low-pressure feed pump. The pressure is then increased using its new, patented Energy Recovery System powered by the waste water from the reverse osmosis process.. This results in very high-energy efficiency with typical power consumption of only 4 Watts per litre of drinking water produced.







Schenker watermakers are simple, quiet, compact, efficient and fully automatic.

A Schenker watermaker will allow you to extend your cruising duration and increase your independence from marinas, allowing you to enjoy more time on the water.

Schenker's three-year warranty is backed up by our international network of sales and service representatives.

THE NEW GENERATION WATERMAKERS

# WHICH MODEL OF NEW GENERATION SCHENKER WATERMAKER SHOULD I CHOOSE?

Schenker watermakers are available in three models types: The Zen, Smart and Modular. All units incorporate Schenker's power saving Energy Recovery System and high quality materials. The new compact Zen, with its clean looks, ultra-flat design and minimal external fittings, is a perfect choice where onboard space is limited or you want the latest in watermaker design. Alternatively the more traditional Smart design, with its single long membrane and separate components, will appeal if more onboard space is available. Finally the Modular's split membranes provide a more compact unit for higher outputs of up to 500 litres per hour. The Zen, Smart and Modular units can be supplied with a choice of either the Basic, Digital or Touch control panels.





SMALL, LARGE OR XLARGE

## WHAT SIZE OF WATERMAKER SHOULD I CHOOSE?

We all have varying water needs aboard, ranging from 30 to 50 litres per day per person. Your ideal watermaker should provide the daily fresh water needs of the boat in about three to four hours. For example, a yacht with 5 persons onboard may need about 200 litres per day. This could be produced by a Zen 50 watermaker in four hours.

DC OR AC ?

## SHOULD I CHOOSE A DC OR AC WATERMAKER ?

All Schenker watermakers are fitted with an Energy Recovery System, reducing the power consumption by up to 80% compared with conventional watermakers . The 30 and 50 litre per hour units are available in DC only. Units from 60 to 150 litres per hour are available in both DC and AC, and the higher output units are AC. The quiet operation of Schenker's watermakers allows you to opt for a smaller output unit that can operate for longer periods to produce the amount of water you need.



# WATERMAKERS



Quiet, small, light, efficient, affordable.  
Can be installed horizontally or upright.  
Very compact, fitting the smallest of spaces.

**ZEN**

### RANGE

30 - 50 - 100 - 150 litres/hour

**smart**

Light, single membrane.  
The ideal solution for those who prefer  
a simple and essential system.

### RANGE

30 - 60 - 80 - 100 litres/hour



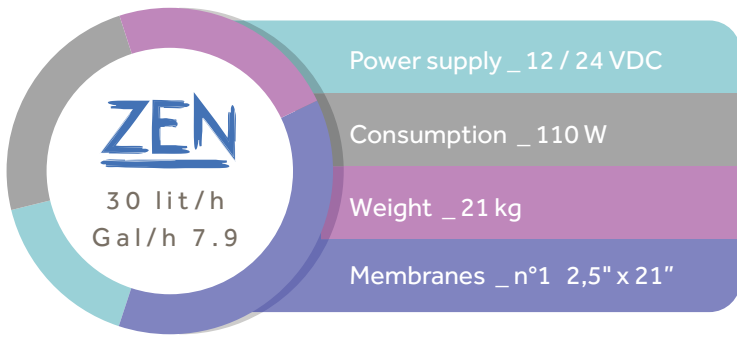
A very compact unit.  
Choice of output range to satisfy all  
needs.

**MODULAR**

### RANGE

35 - 60 - 100 - 150  
230 - 300 - 500 litres/hour





**ZEN**  
30 lit/h  
Gal/h 7.9

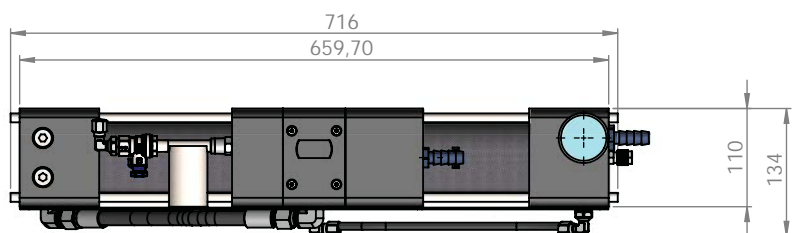
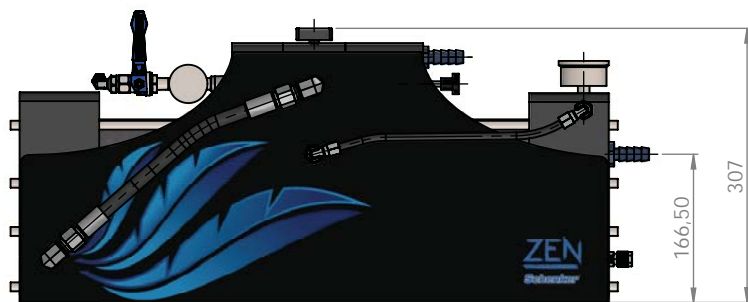
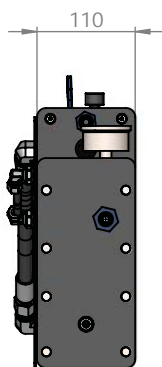
Power supply _ 12 / 24 VDC
Consumption _ 110 W
Weight _ 21 kg
Membranes _ n°1 2,5" x 21"

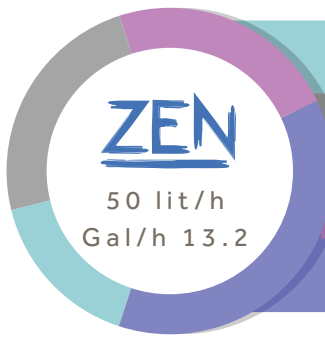


## DETAILS



## DRAWINGS



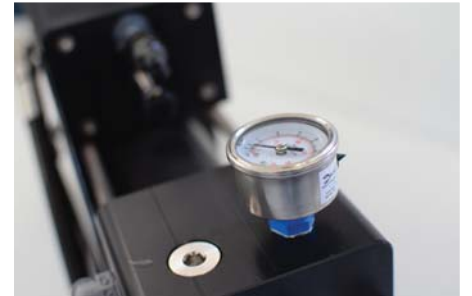


**ZEN**  
50 lit/h  
Gal/h 13.2

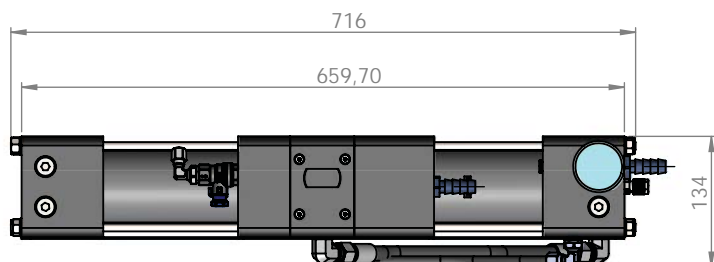
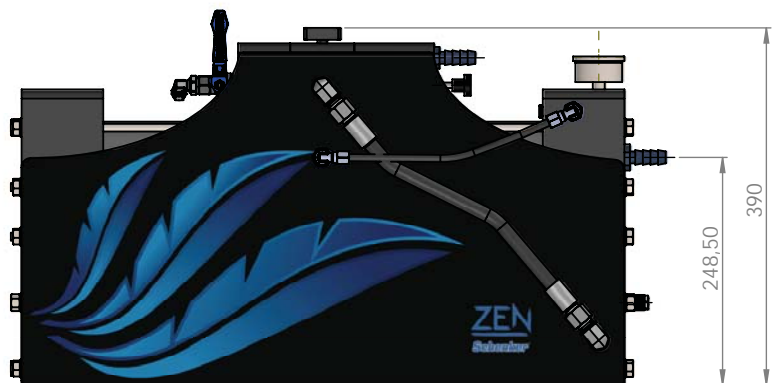
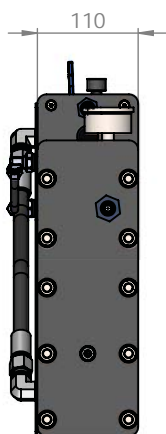
Power supply \_ 12 / 24 VDC  
Consumption \_ 240 W  
Weight \_ 30 kg  
Membranes \_ n°2 2,5" x 21"

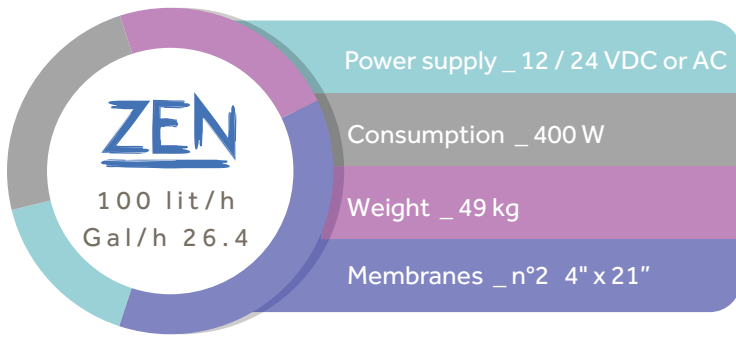


## DETAILS



## DRAWINGS



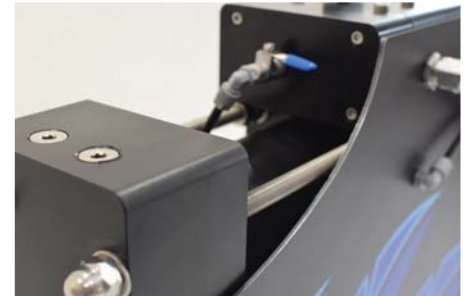


**ZEN**  
100 lit/h  
Gal/h 26.4

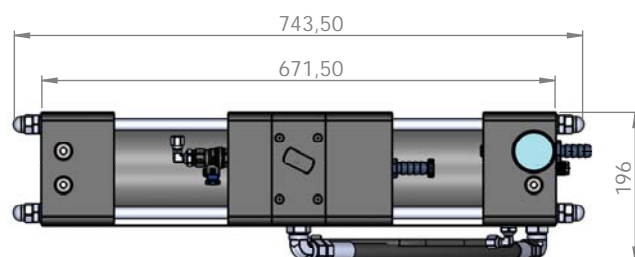
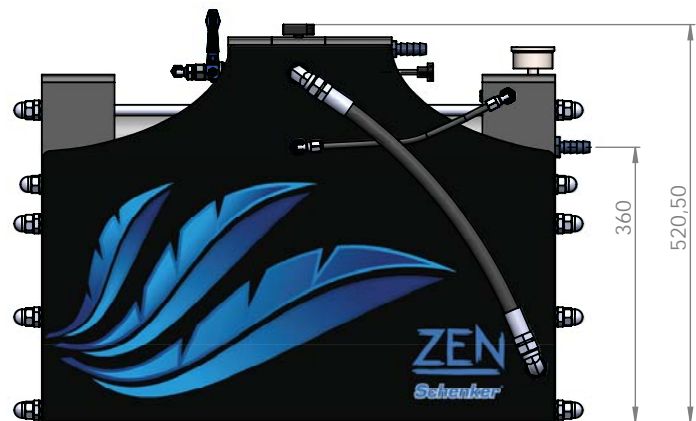
Power supply _ 12 / 24 VDC or AC
Consumption _ 400 W
Weight _ 49 kg
Membranes _ n°2 4" x 21"

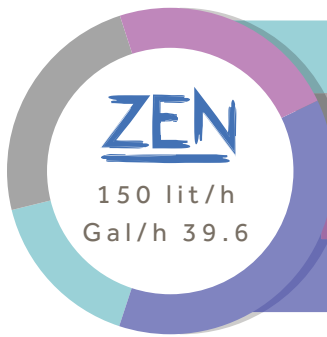


## DETAILS



## DRAWINGS



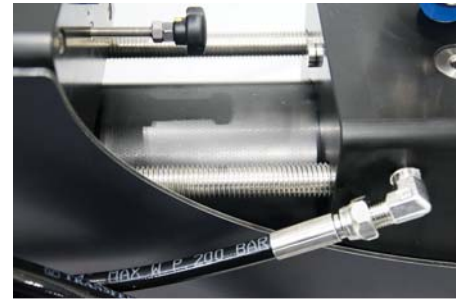


**ZEN**  
150 lit/h  
Gal/h 39.6

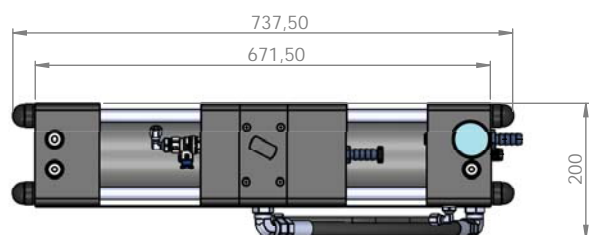
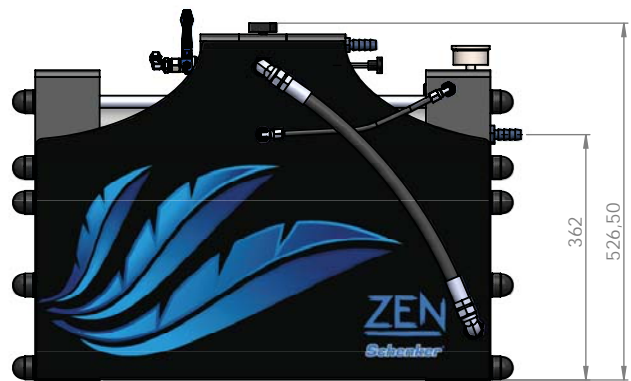
Power supply \_ 24 VDC or AC  
Consumption \_ 600 W  
Weight \_ 61 kg  
Membranes \_ n° 2 4" x 21"

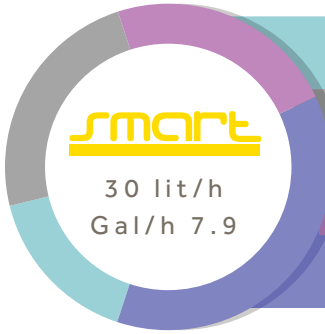


## DETAILS



## DRAWINGS





Power supply \_ 12 / 24 VDC

Consumption \_ 110 W

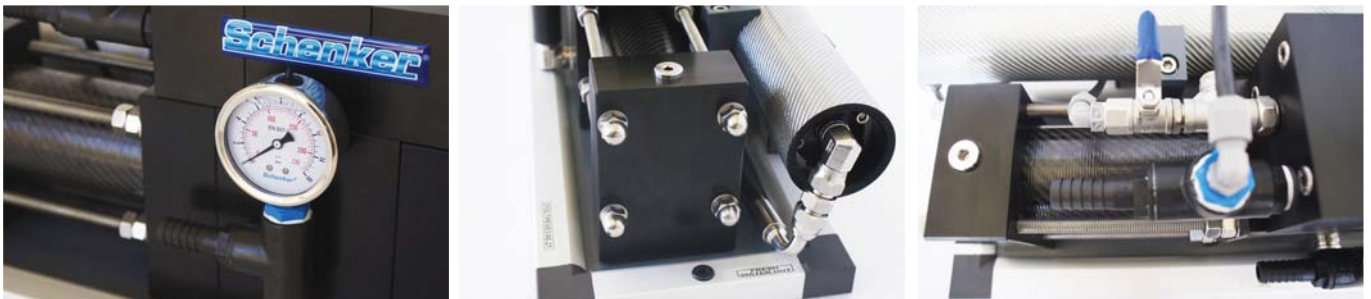
Weight \_ 25 kg

Membranes \_ n°2 2,5" x 21"

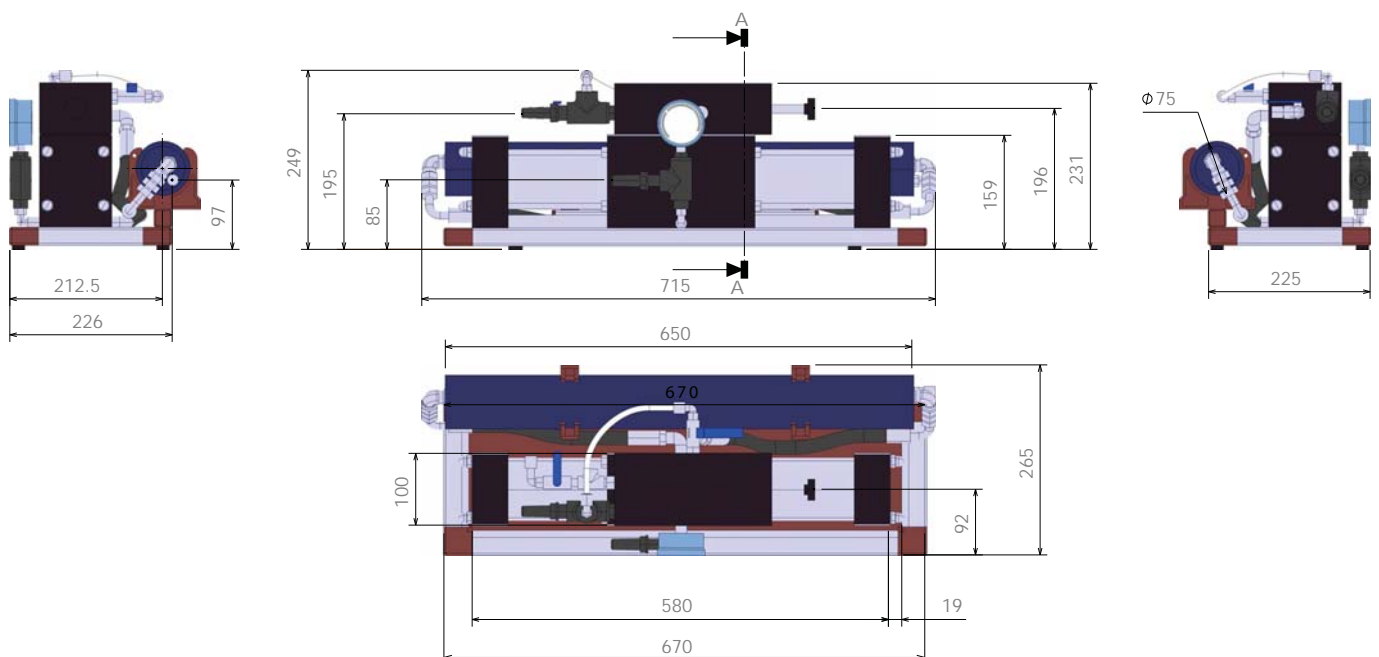
30 lit/h  
Gal/h 7.9

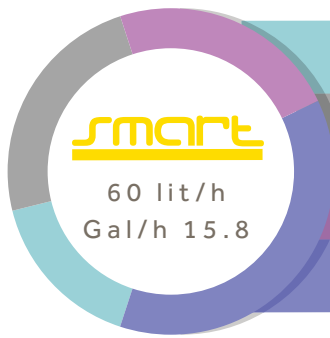


## DETAILS



## DRAWINGS





Power supply \_ 12 / 24 VDC or AC

Consumption \_ 240 W

Weight \_ 31 kg

Membranes \_ n°1 2,5" x 40"

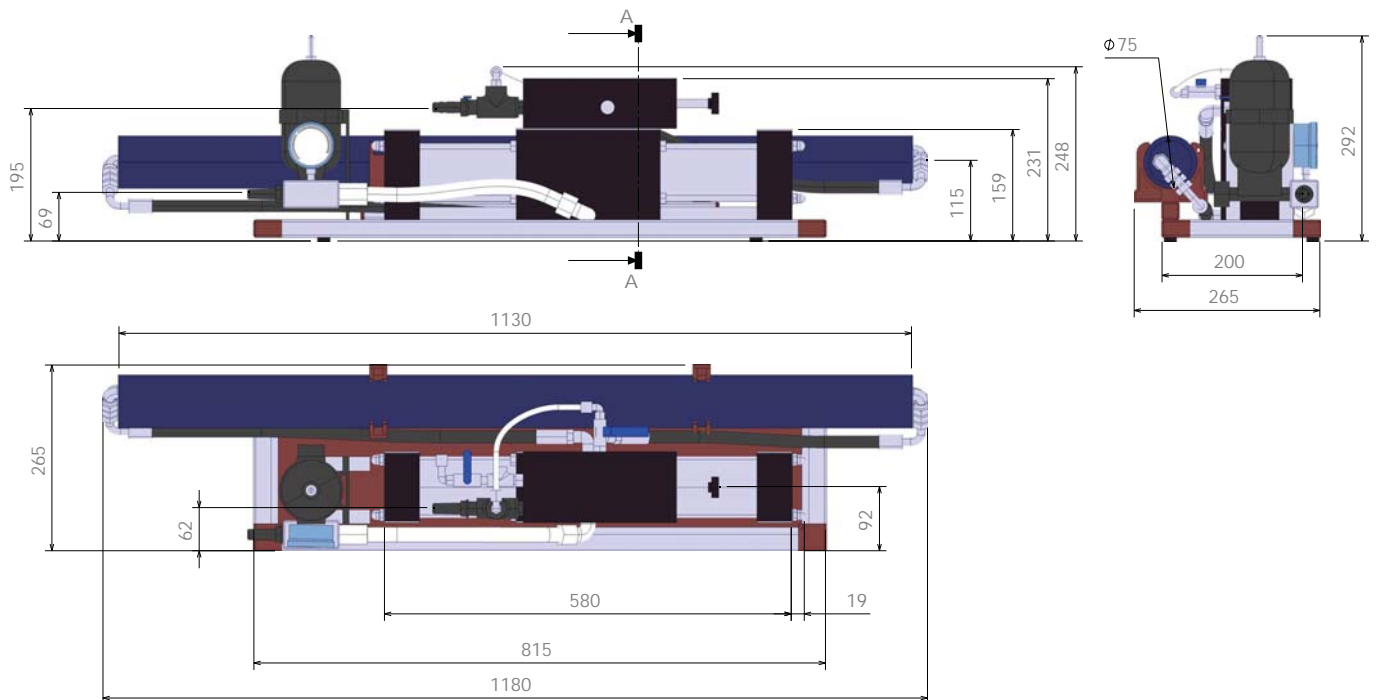
60 lit/h  
Gal/h 15.8

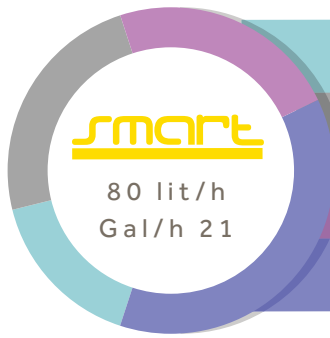


## DETAILS



## DRAWINGS





Power supply \_ 12 / 24 VDC or AC

Consumption \_ 380 W

Weight \_ 35 kg

Membranes \_ n°2 2,5" x 40"

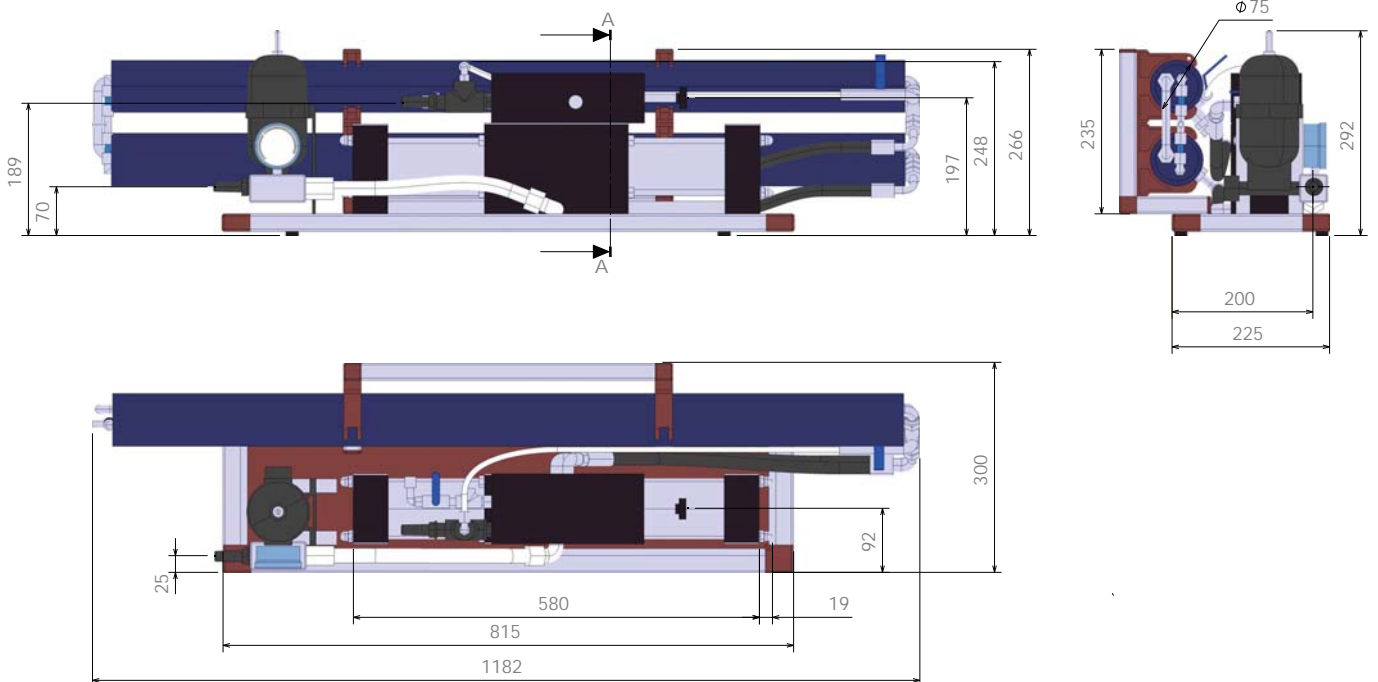
80 lit/h  
Gal/h 21

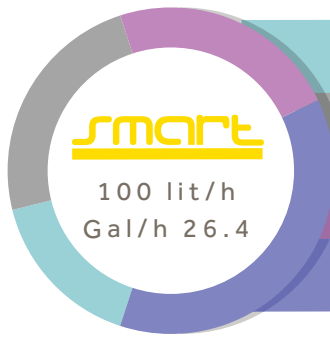


## DETAILS



## DRAWINGS





Power supply \_ 12 / 24 VDC or AC

Consumption \_ 400 W

Weight \_ 48 kg

Membranes \_ n°1 4" x 40"

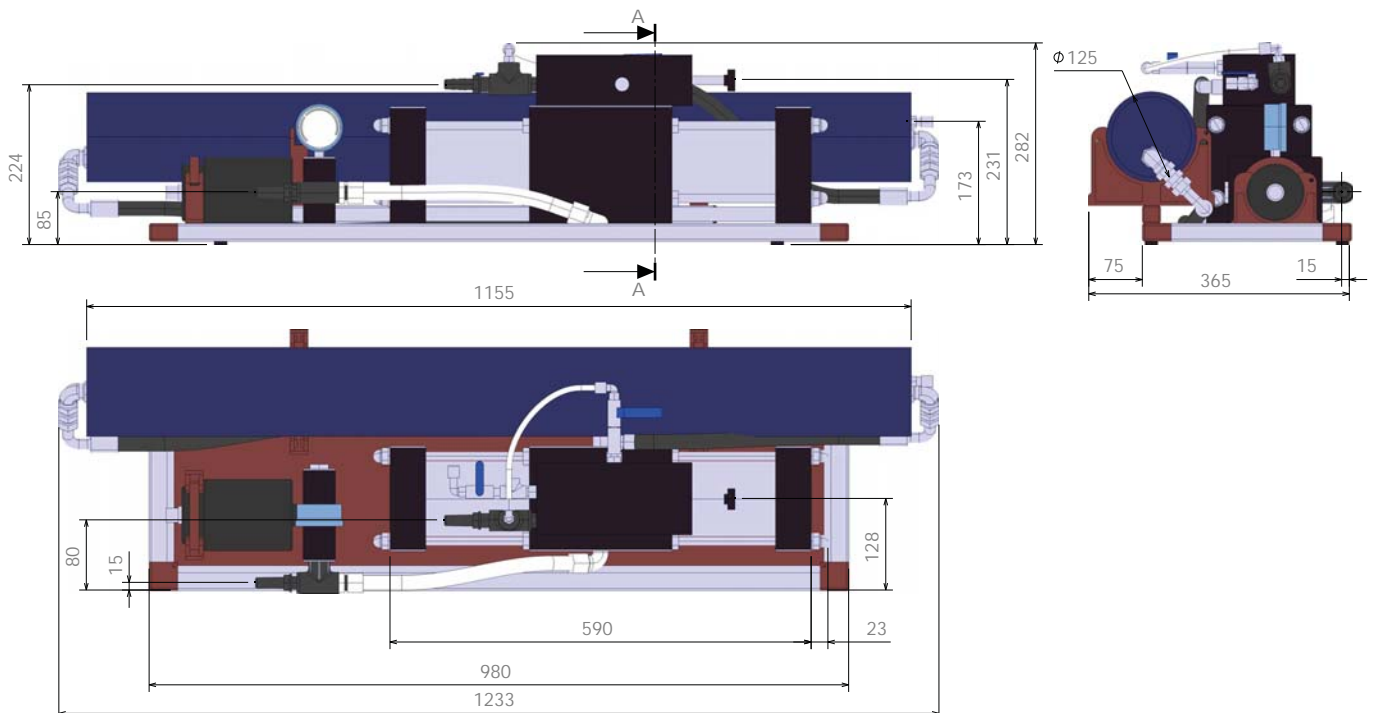
100 lit/h  
Gal/h 26.4



## DETAILS



## DRAWINGS





**MODULAR**

35 lit/h  
Gal/h 9

Power supply \_ 12 / 24 VDC

Consumption \_ 100 W

Weight \_ 31 kg

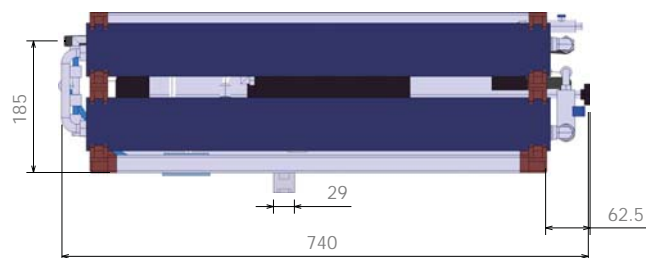
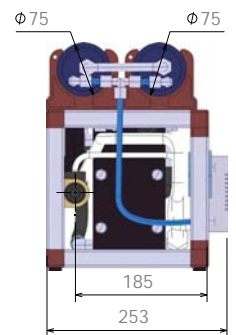
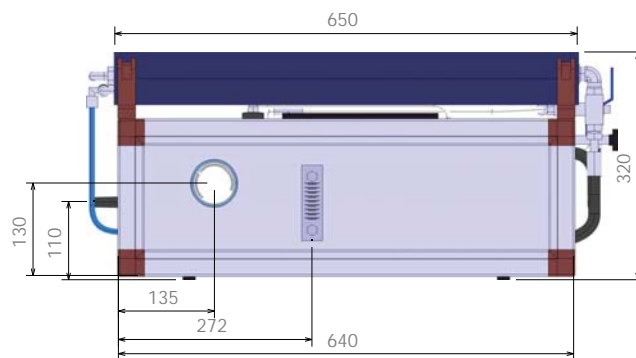
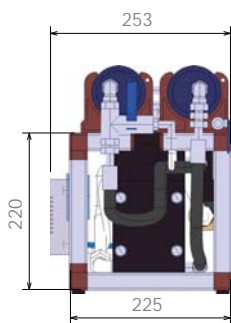
Membranes \_ n°2 2,5" x 21"



## DETAILS



## DRAWINGS



**MODULAR**

60 lit/h  
Gal/h 15.8

Power supply \_ 12 / 24 VDC or AC

Consumption \_ 240 W

Weight \_ 38 kg

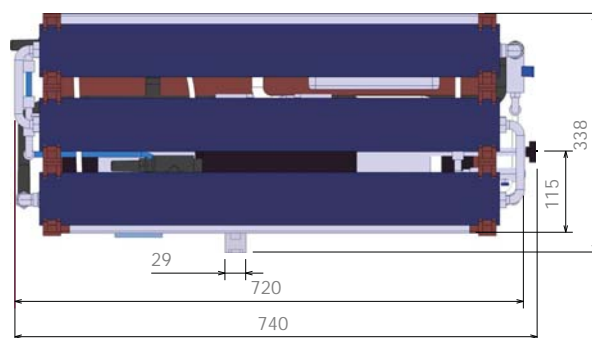
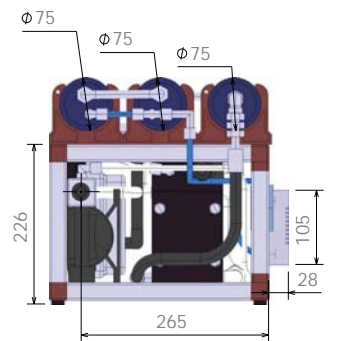
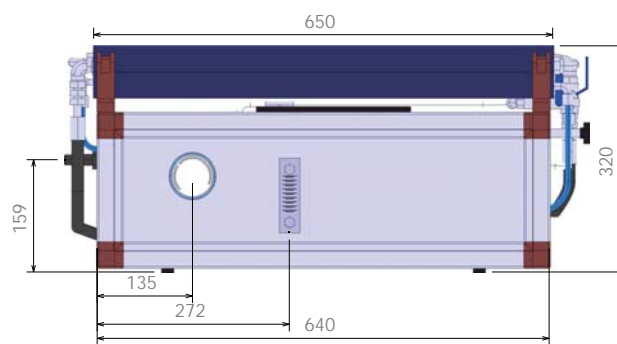
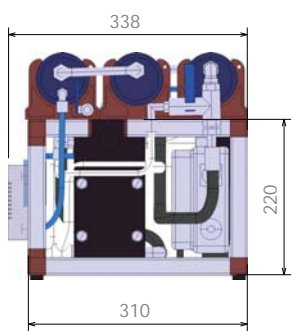
Membranes \_ n°3 2,5" x 21"



## DETAILS



## DRAWINGS



**MODULAR**

100 lit/h  
Gal/h 26.4

Power supply \_ 12 / 24 VDC or AC

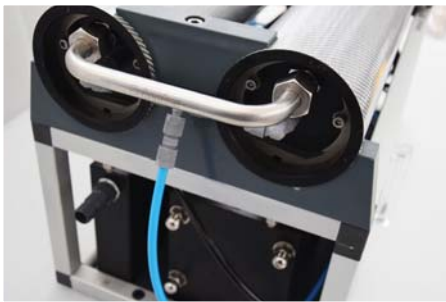
Consumption \_ 400 W

Weight \_ 58 kg

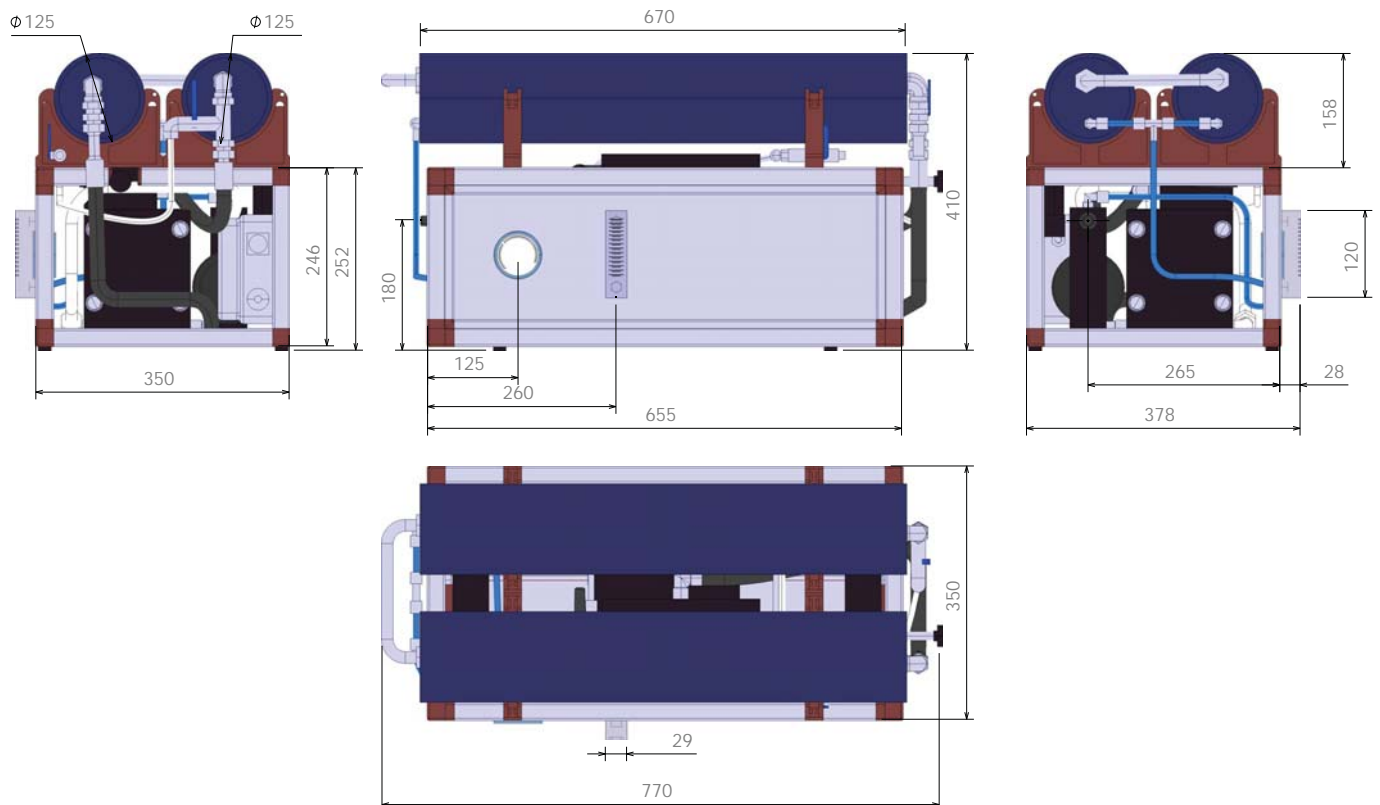
Membranes \_ n°2 4" x 21"



## DETAILS



## DRAWINGS



**MODULAR**

150 lit/h  
Gal/h 39.6

Power supply \_ 24 VDC or AC

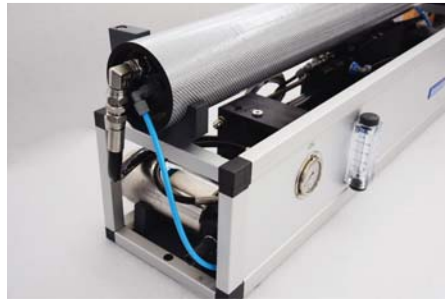
Consumption \_ 600 W

Weight \_ 69 kg

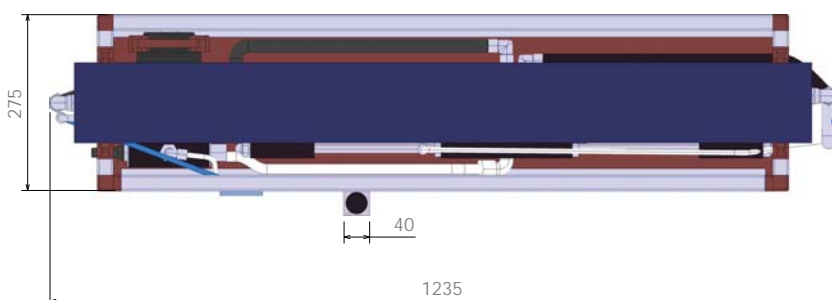
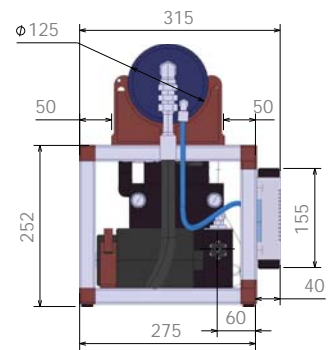
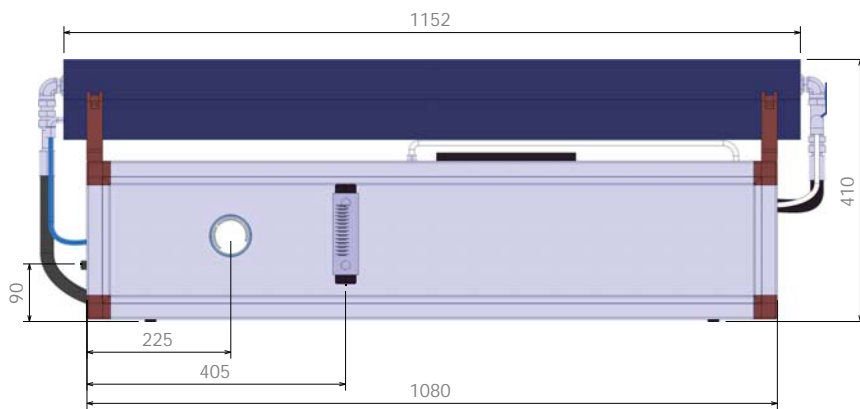
Membranes \_ n°1 4" x 40"



## DETAILS



## DRAWINGS



**MODULAR**

230 lit/h  
Gal/h 61

Power supply AC single or three phase

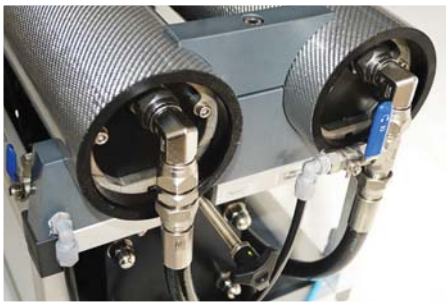
Consumption \_ 1,5 kW

Weight \_ 95 kg

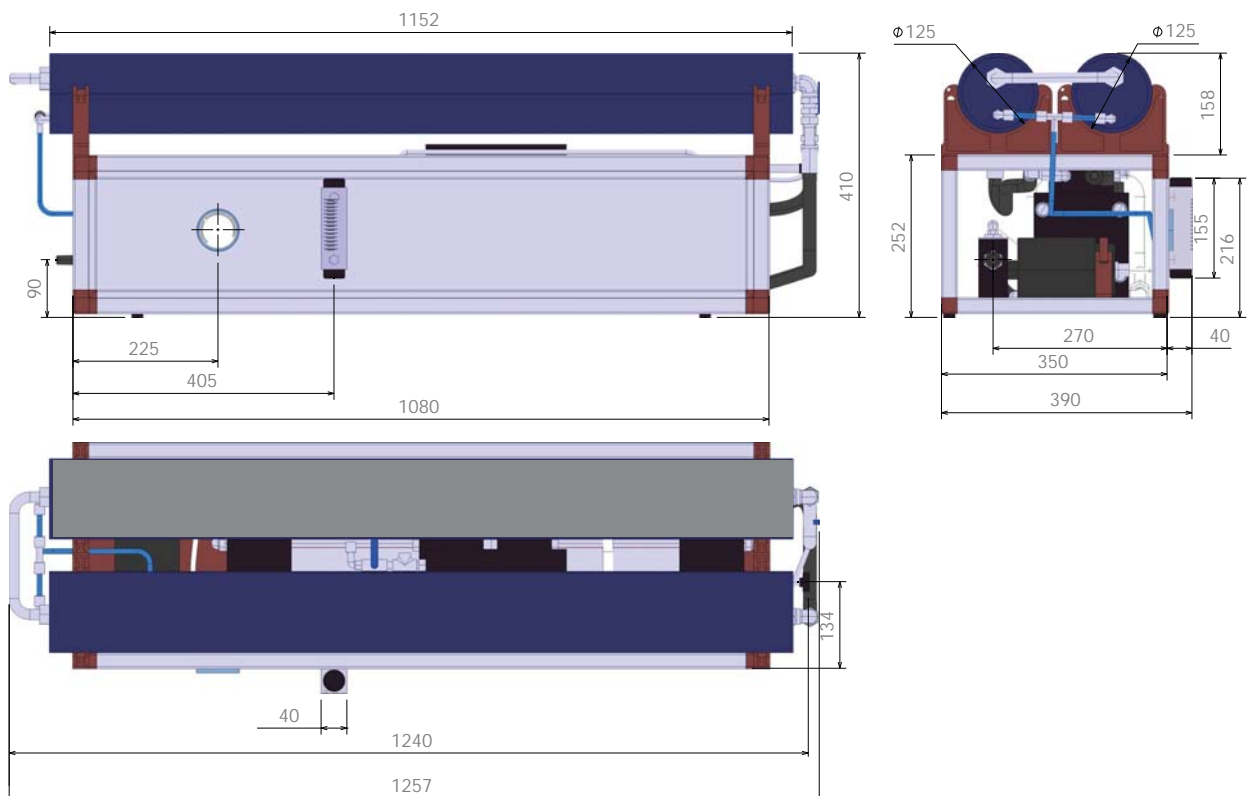
Membranes \_ n°2 4" x 40"



## DETAILS



## DRAWINGS



**MODULAR**

300 lit/h  
Gal/h 79

Power supply AC single or three phase

Consumption \_ 2,5 kW

Weight \_ 145 kg

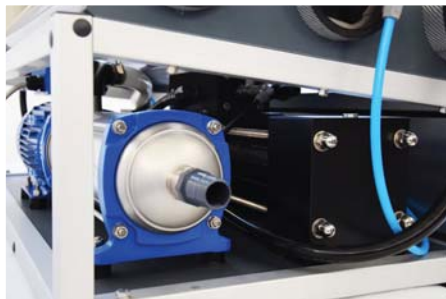
Membranes \_ n°3 4" x 40"



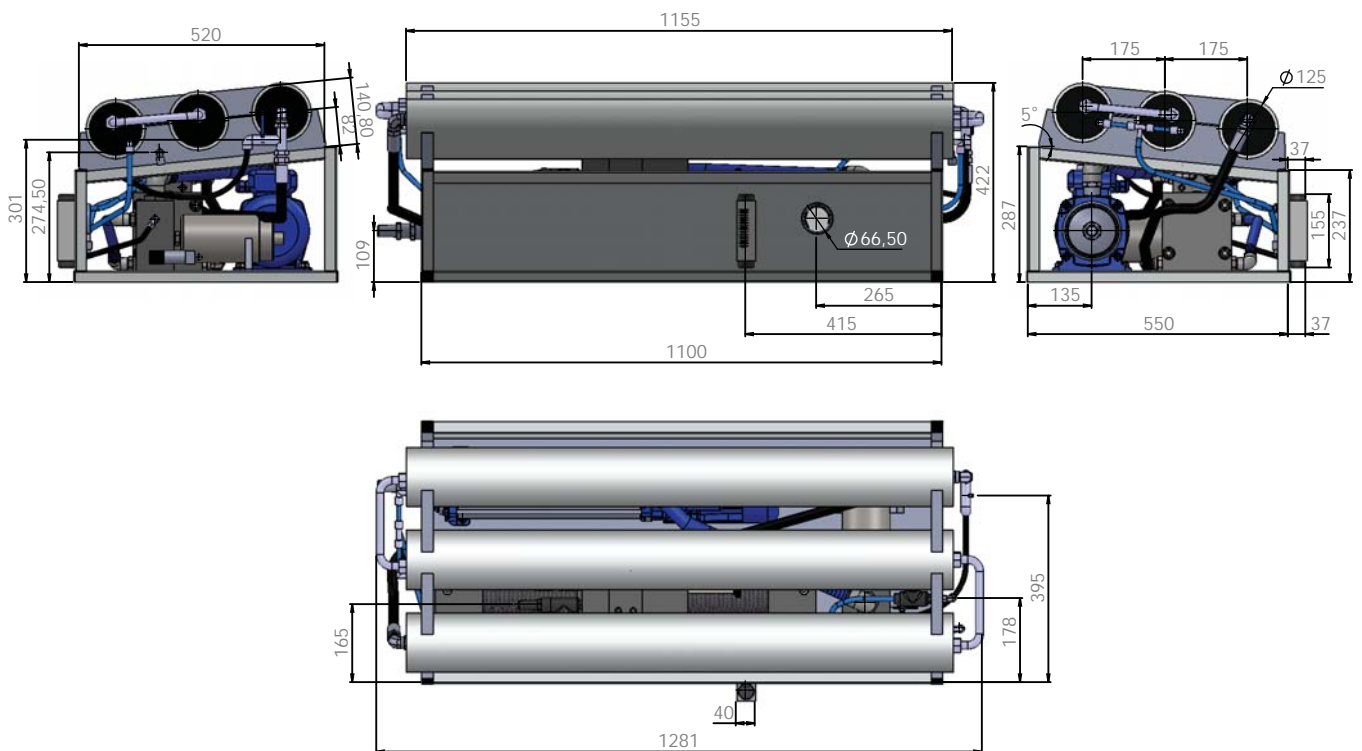
Main pump inside

INVERTER TECHNOLOGY

## DETAILS



## DRAWINGS



**MODULAR**

500 lit/h  
Gal/h 132

Power supply AC three phase

Consumption \_ 3,5 kW

Weight \_ 180 kg

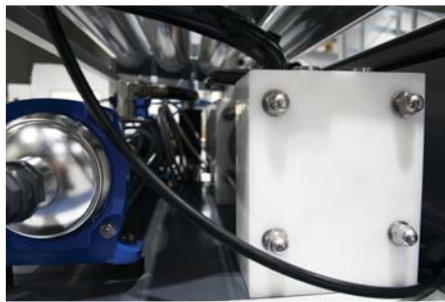
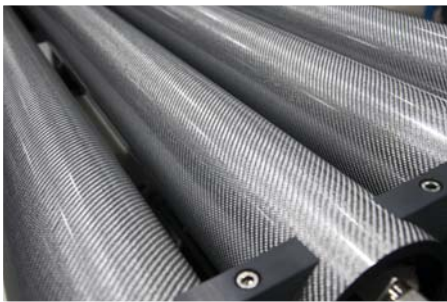
Membranes \_ n°4 4" x 40"

Main pump inside

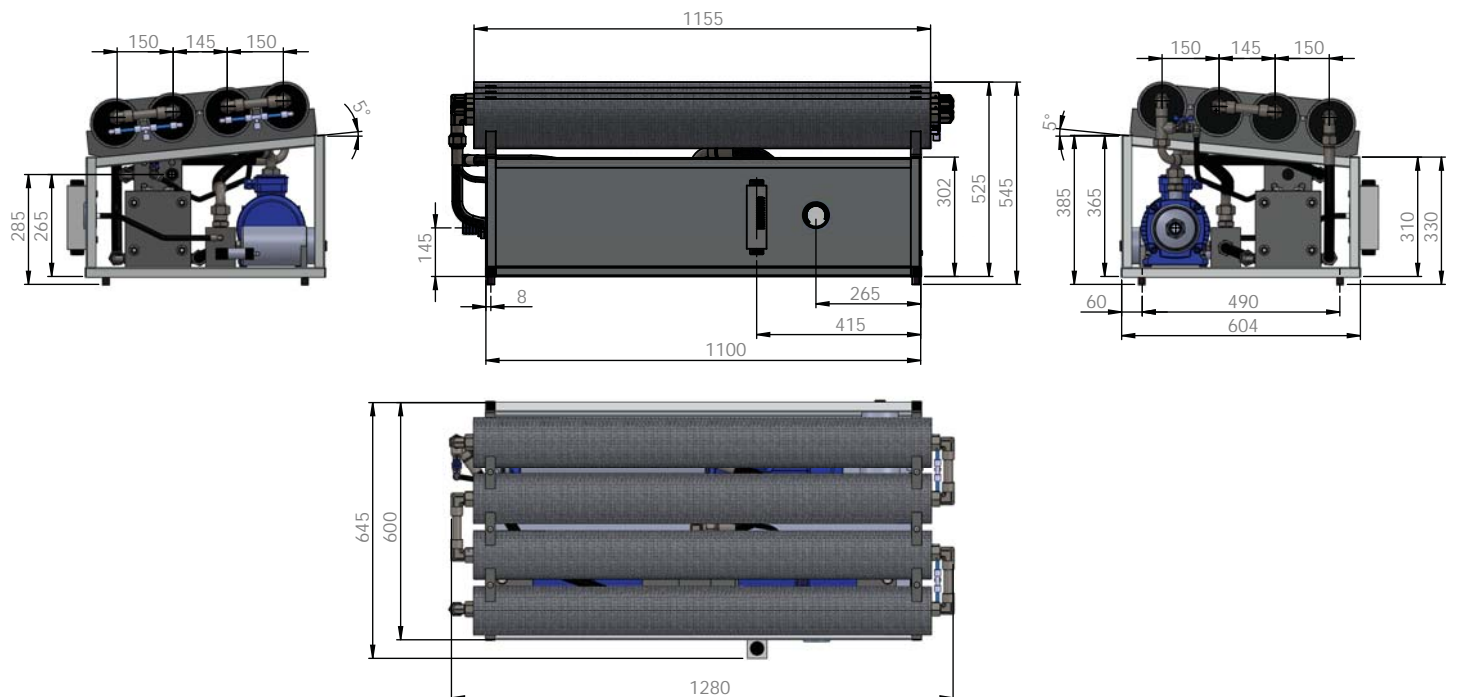
INVERTER TECHNOLOGY



## DETAILS



## DRAWINGS



# REMOTE PANELS

## BASIC



### Functions:

- Start/stop
- Back flush
- Timer

**Dimension:** 100 x 66 mm

### Available for:

- Zen 30, 50, 100, 150
- Smart 30, 60, 80, 100
- Modular 35, 60, 100

## DIGITAL



### Functions:

- Remote Start/Stop
- Timer
- Automatic flushing
- Intensive flushing
- Periodic flushing
- Hours counter
- Automatic start up
- Assisted maintenance
- Salinity monitoring (optional)
- Control from tank level switches

**Dimension:** 135 x 115 mm

### Available for:

- Smart 30, 60, 80, 100
- Modular 35, 60, 100, 150, 230, 300, 500

## TOUCH



### Functions:

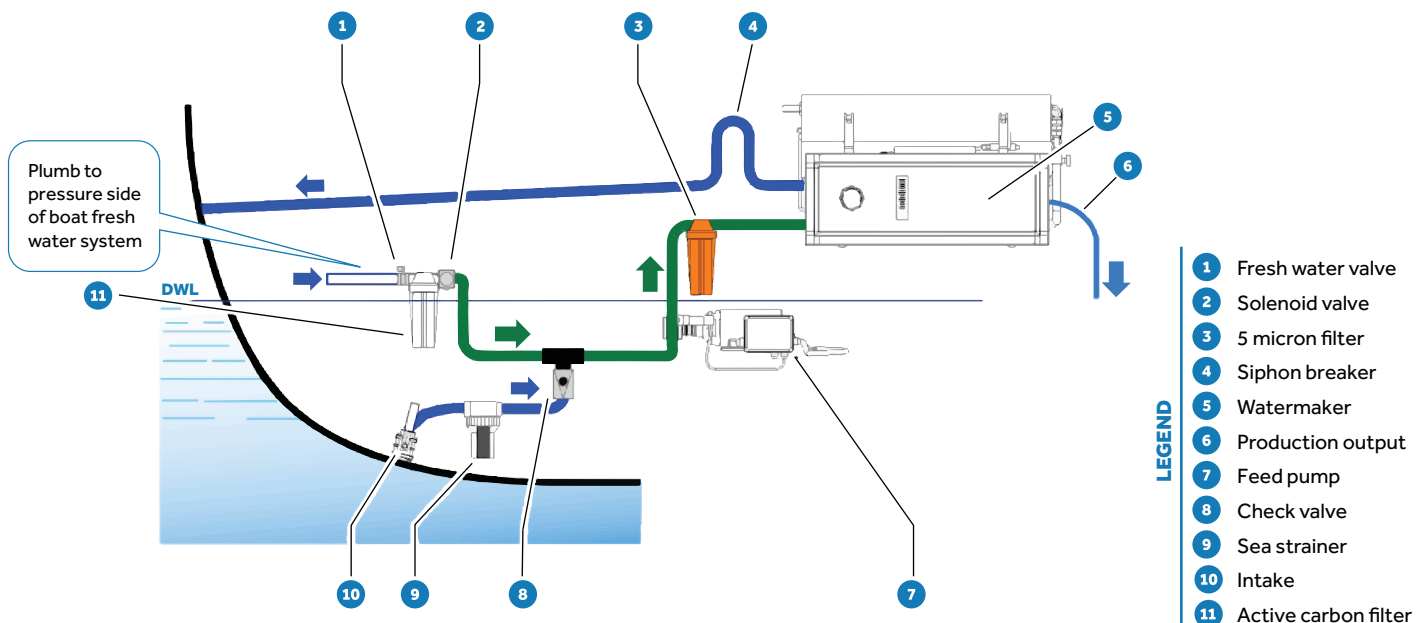
- Remote Start/Stop
- Timer
- Automatic flushing
- Intensive flushing
- Periodic flushing
- Hours counter
- Automatic start up
- Assisted maintenance
- Salinity monitoring (optional)
- Flow meter (optional)
- Pressure meter (optional)
- Control from tank level switches

**Dimension:** 120 x 80 mm

### Available for:

- Zen 100, 150
- Smart 30, 60, 80, 100
- Modular 35, 60, 100, 150, 230, 300, 500

# TYPICAL INSTALLATION





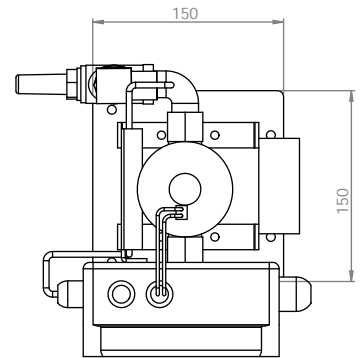
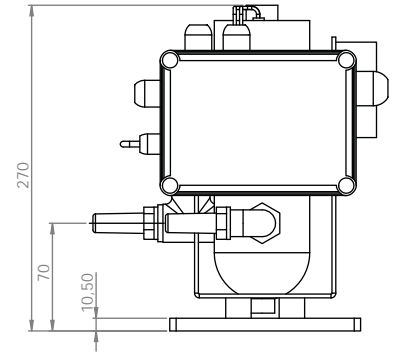
# FEED PUMPS

All watermakers in the 30-150 litres per hour range are fitted with a single feed pump.  
A choice of pump configurations offers flexible options when space is limited.

30 lit/h

AVAILABLE FOR

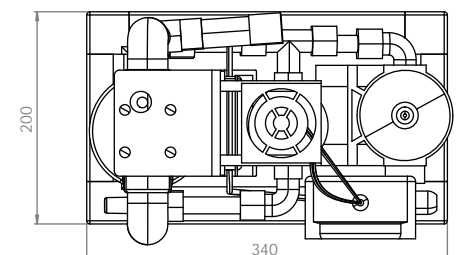
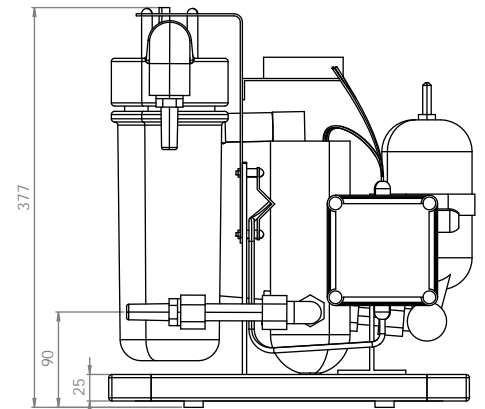
zen 30



30 - 35 lit/h

AVAILABLE FOR

smart 30  
modular 35

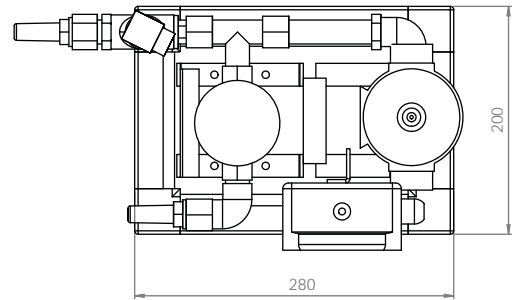
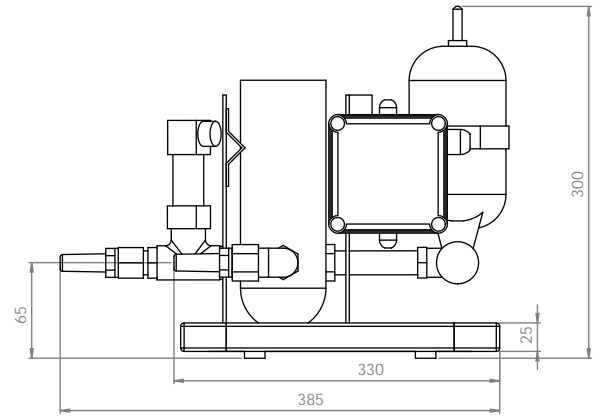


30-35  
lit/h

AVAILABLE FOR

smart 30  
modular 35

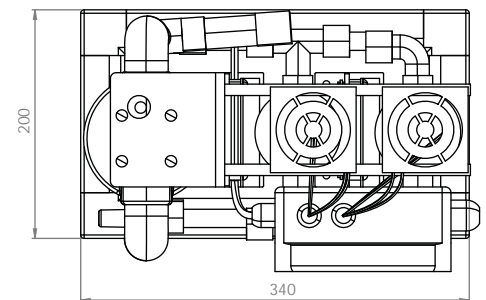
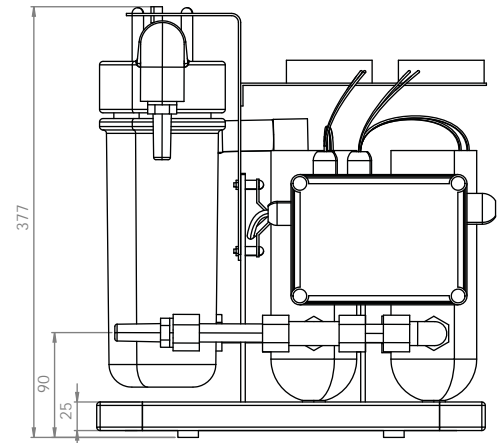
with external  
filter



60  
lit/h

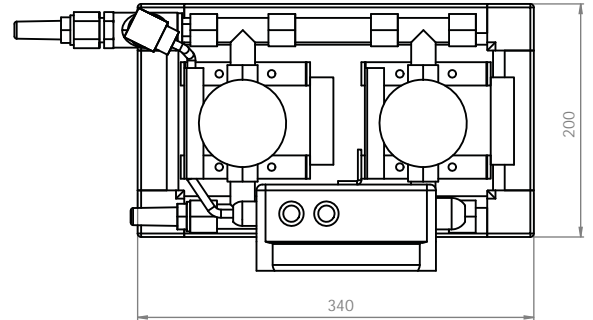
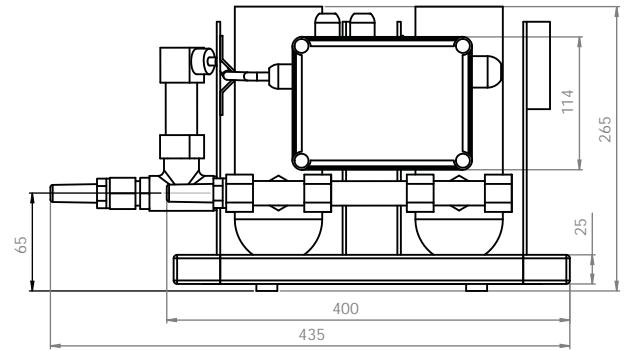
AVAILABLE FOR

smart 60  
modular 60



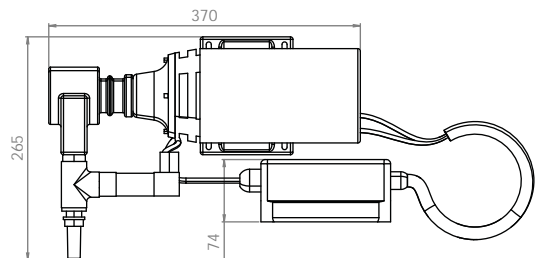
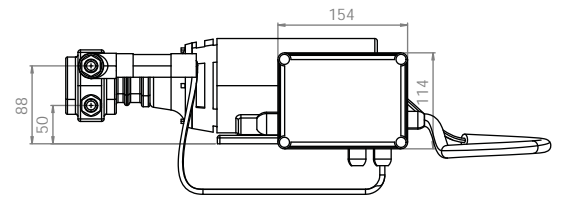
50 - 60  
lit/h

AVAILABLE FOR  
zen 50  
smart 60  
modular 60  
with external  
filter



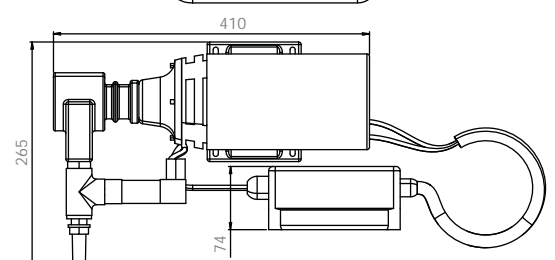
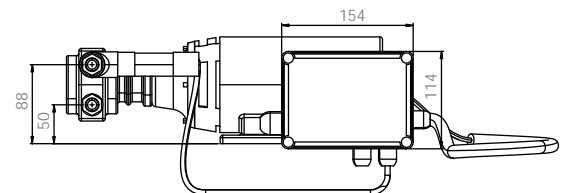
80 - 100  
lit/h

AVAILABLE FOR  
smart 80  
zen 100  
smart 100  
modular 100



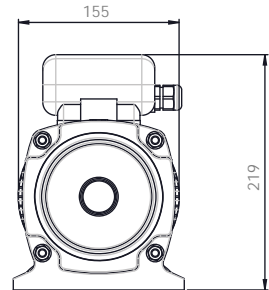
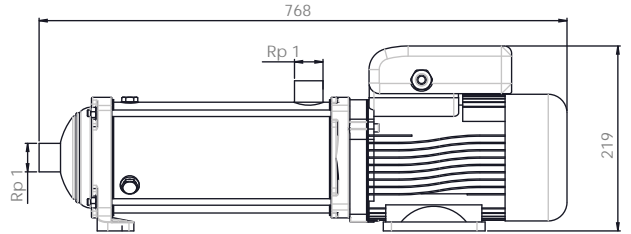
150  
lit/h

AVAILABLE FOR  
zen 150  
modular 150

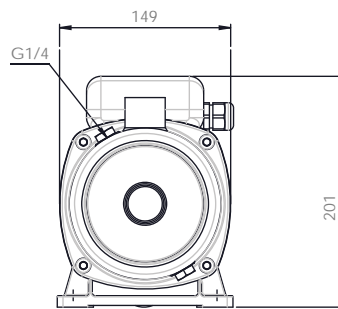
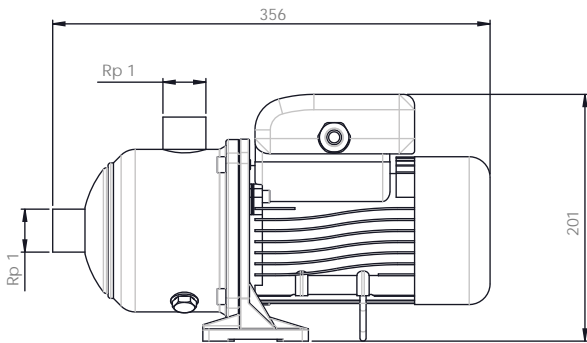


230  
lit/h

AVAILABLE FOR  
modular 230

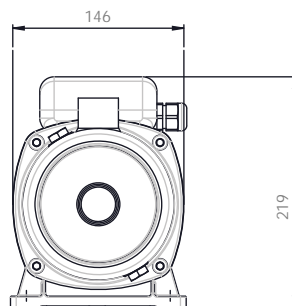
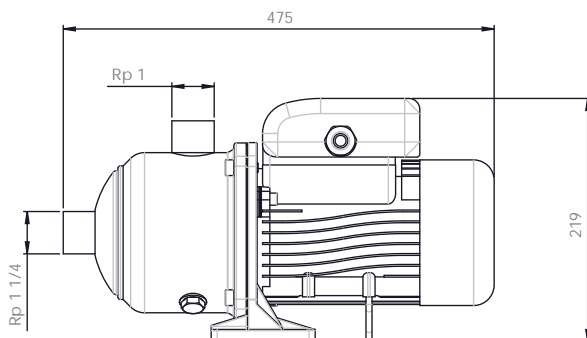


## PRE PUMPS



230 - 300  
lit/h

AVAILABLE FOR  
modular 230  
modular 300



500  
lit/h

AVAILABLE FOR  
modular 500

**Schenker**<sup>®</sup>  
WATERMAKERS

Via Ferrante Imparato 499/501 | 80146 | Naples | Italy  
Ph. +39 081 5593505 | Ph. +39 081 5590931 | Fax +39 081 5597372  
e-mail: [info@schenker.it](mailto:info@schenker.it) | [www.schenkerwatermakers.com](http://www.schenkerwatermakers.com)



The texts, the photographs and the drawings used in this brochure are the exclusive property of Schenker Italia S.r.L. and cannot be reproduced without explicit written authorisation.  
The descriptions and the technical data in this brochure should be considered for guidance only. Schenker Italia reserves the right to vary and modify them at any time without prior notice.